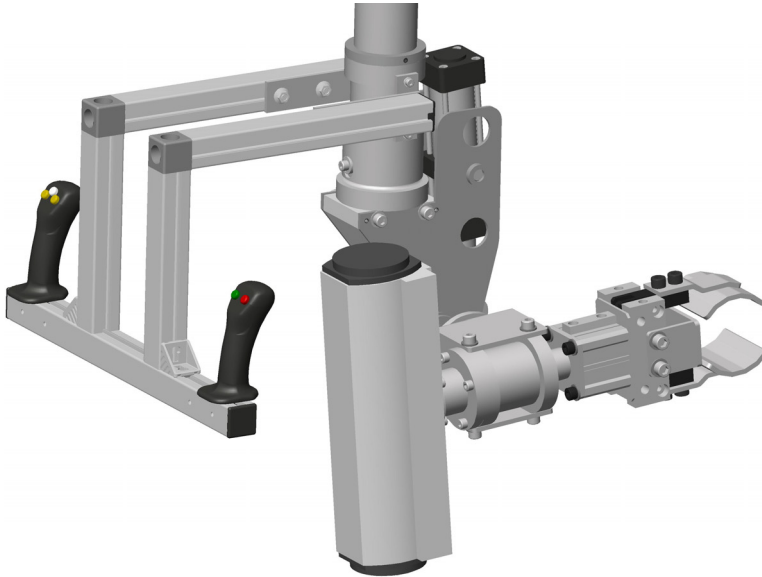
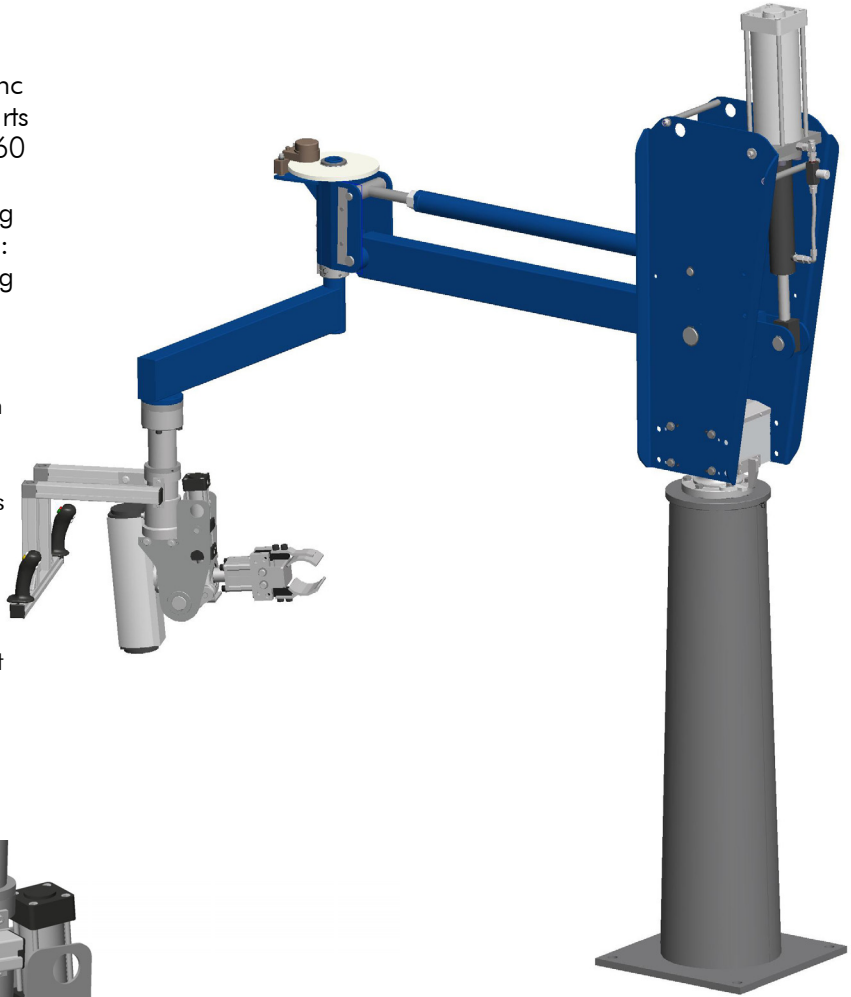


7008 TAWILift HA200SE with gripper

Project nr: 7008 &
7009-7011
Project supervisor: Mike Lee,
TAWI USA Inc
Lifting: Machine parts
Used with: TAWILift PB60
Max capacity: 7008:
36 lbs/16 kg
7009-7011:
71 lbs/31 kg

This order consists of a total of four pneumatic lift arms. Project 7008 is equipped with a pneumatic gripper with rotation and tilt function.

Projects 7009-7011 are equipped with rotation only. Since the tilt function adds to the total tool weight, the max lifting capacity is less for this machine, 36 lbs compared to 71 lbs on the other three. All four machines are completely pneumatic: outbalancing of tool and lift arm, tilting and rotating units.



A tilting and rotating gripper, all-pneumatic solutions.

TAWI
LIFT

Box 10205 434 23 KUNGSBACKA Sweden
Tel +46 300 185 00
info@tawi.se
www.TAWI.com